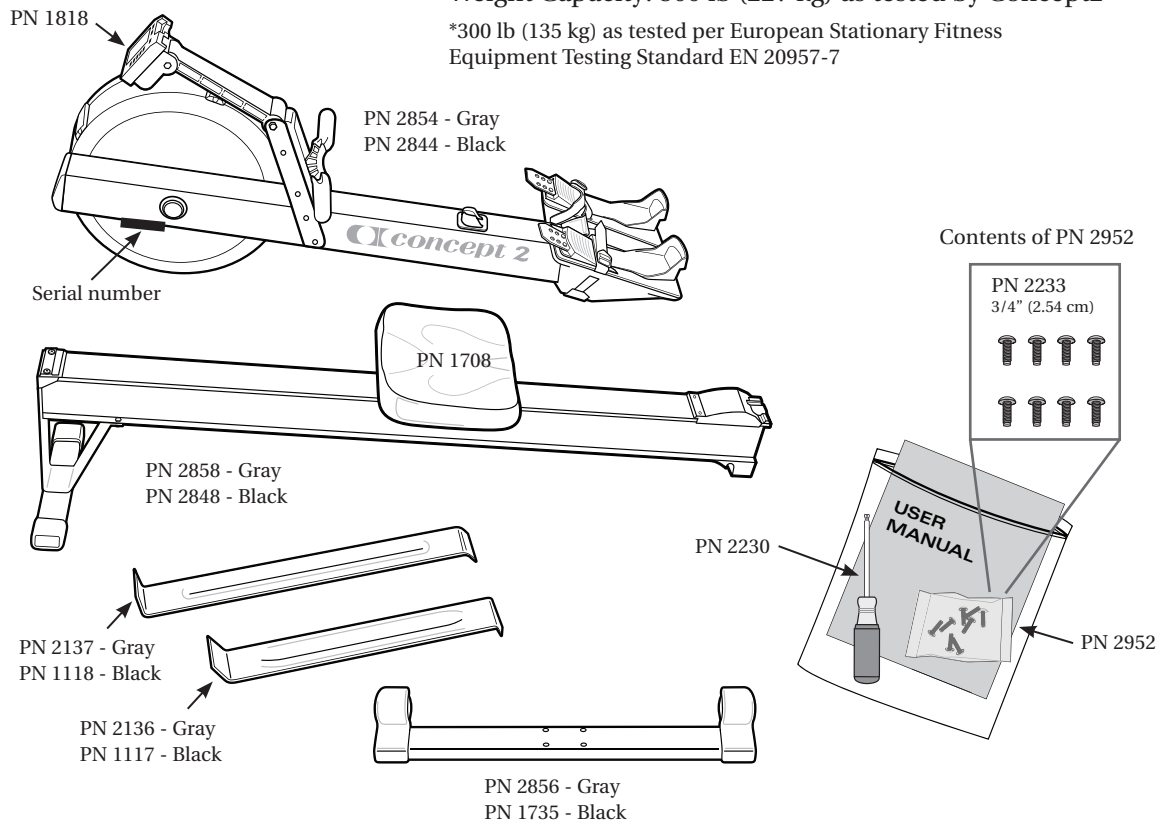


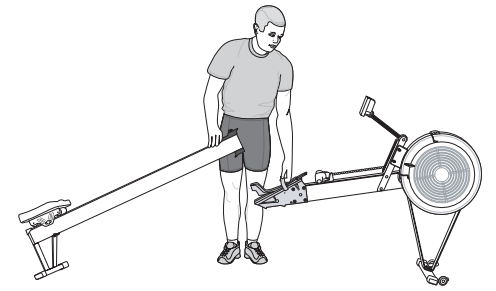
**IMPORTANT NOTE:**  
Use these instructions for **MODEL D** assembly.

**MODEL D**

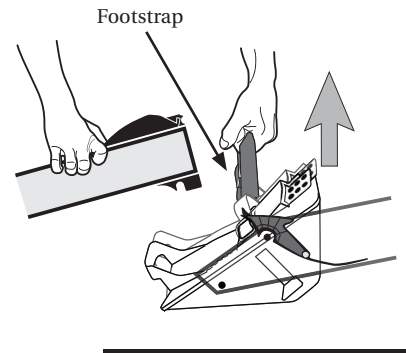
Weight: 57 lb (26 kg)  
Dimensions: 8 ft x 2 ft (244 cm x 61 cm)  
Space Required for Use: 9 ft x 4 ft (274 cm x 122 cm)  
Weight Capacity: 500 lb (227 kg) as tested by Concept2\*  
\*300 lb (135 kg) as tested per European Stationary Fitness Equipment Testing Standard EN 20957-7



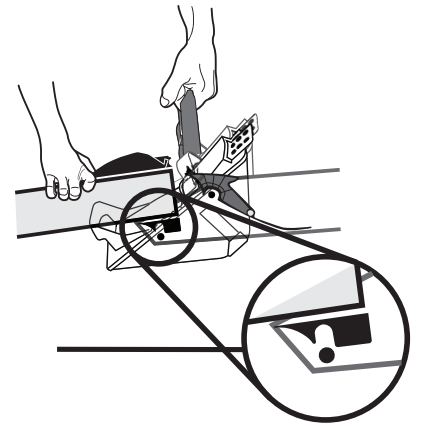
## 3



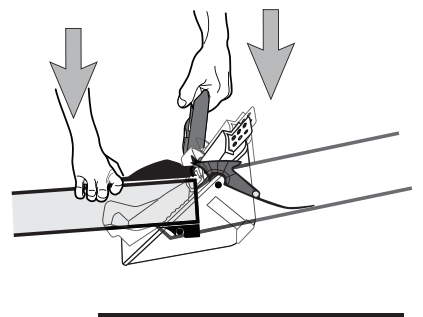
1.



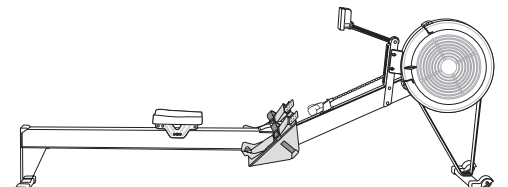
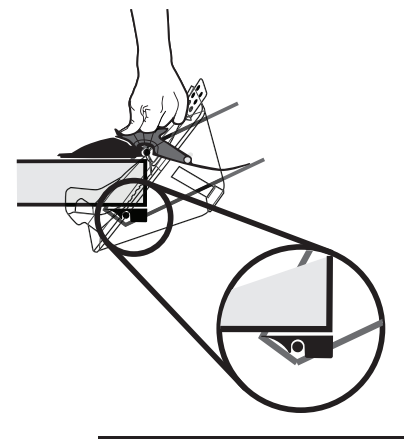
2.



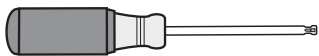
3.



4.



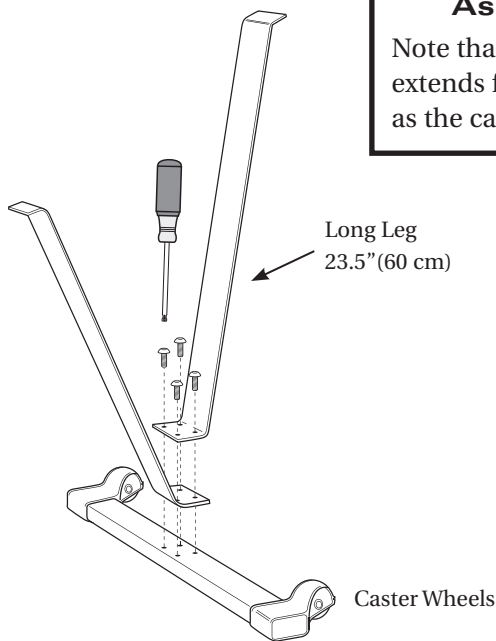
## 1



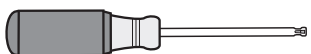
(4) 3/4" (2.54 cm)  
PN 2233

**Assembly Tip**

Note that the long leg extends from the same side as the caster wheels.



## 2



(4) 3/4" (2.54 cm)  
PN 2233

**Assembly Tip**

To prevent thread damage, be sure holes line up before inserting fasteners. Do not fully tighten until all fasteners are in place.

